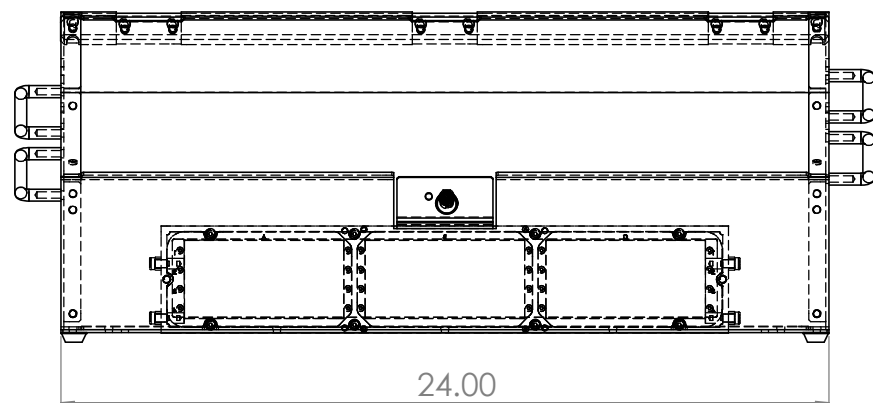
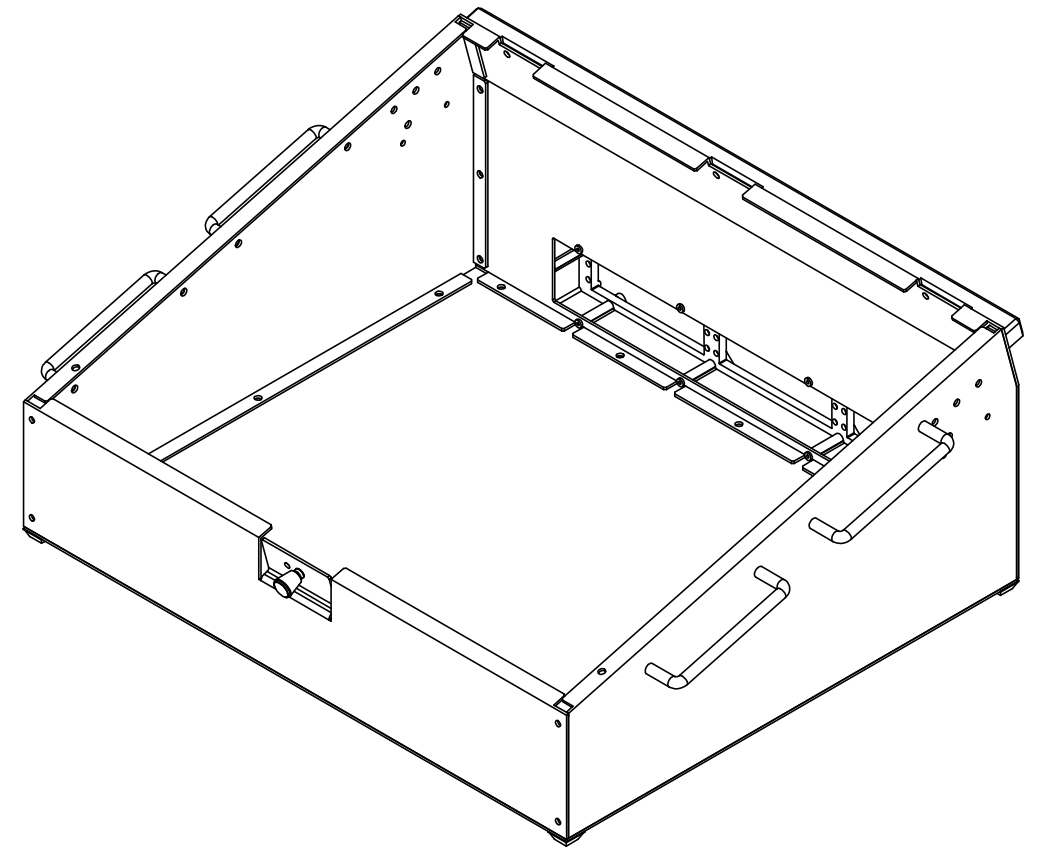
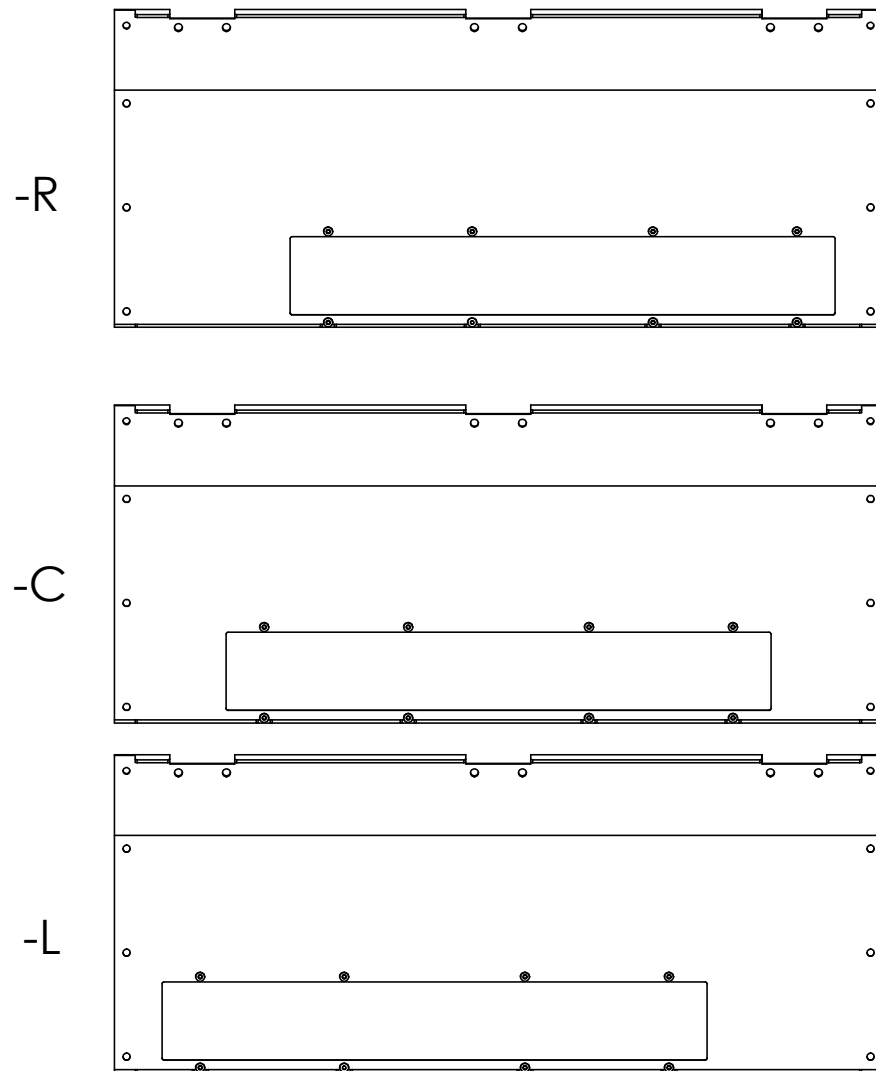
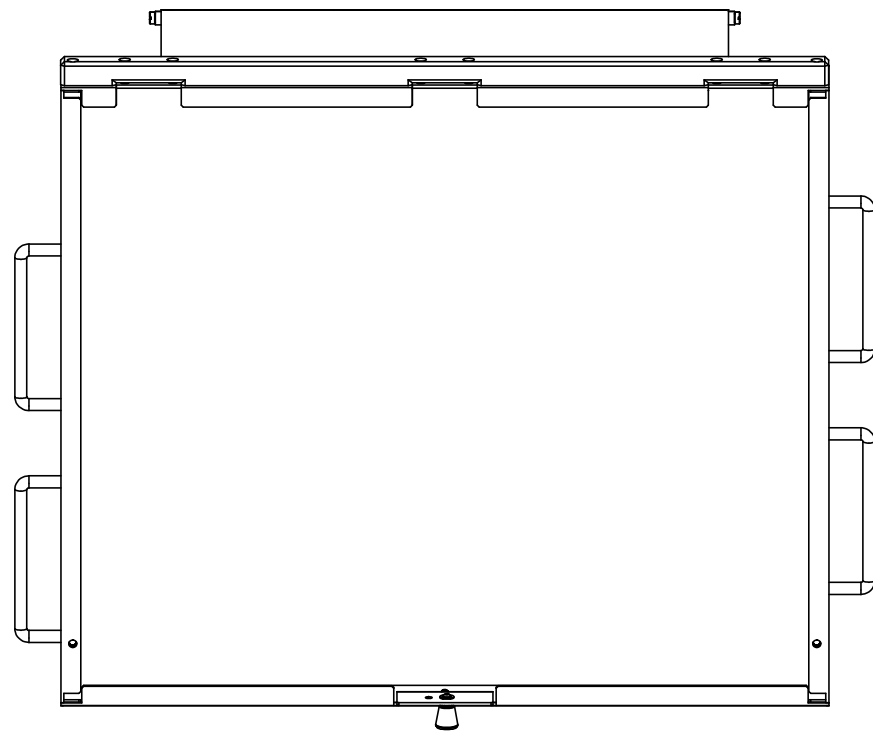
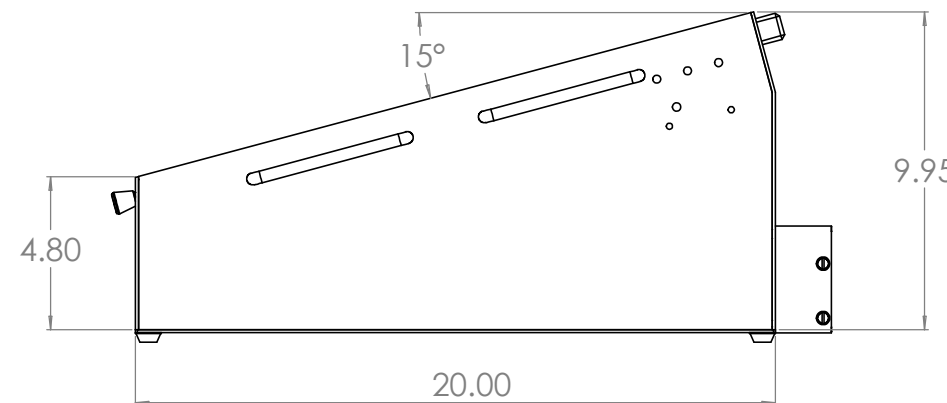


REV	DESCRIPTION	WHO	DATE
A	RELEASED PER ORIGINAL SPECIFICATION		

### 7008 SERIES SLOPE PANEL OPTIONS (INSIDE VIEW)



-C VERSION SHOWN



NOTES: 1. ASM-7008-SLP-(INTERFACE LOCATION OPTION)  
2. ITA FRAME NOT INCLUDED. AVAILABLE FOR PURCHASE SMP-0899

MATERIAL:		DRAWN BY: TH		14 HIGH STREET PLAINVILLE, MA. 02762																											
TREATMENT/FINISH:		DATE: 7/15/2024		(508) 384-8303																											
NEXT ASSEMBLY:		CHECKED BY:																													
<small>INTERPRET GEOMETRIC &amp; ELECTRICAL SYMBOLS PER ANSI STANDARDS UNLESS OTHERWISE SPECIFIED USE THE FOLLOWING</small>		DATE:																													
<small>DEBURR &amp; BREAK ALL SHARP EDGES APPROXIMATELY 0.01 ± 45°</small>		LAST SAVED BY:		<b>DESCRIPTION</b> SERIES 7008 SLOPE PAN DIMENSIONS																											
<small>DRAWING VIEWS PROJECTED USING 3RD ANGLE</small>		DATE:																													
<b>SEMCO PROPRIETARY</b> <small>THIS DOCUMENT IS THE PROPERTY OF SEMCO MACHINE CORPORATION. IT IS TO BE RETURNED UPON REQUEST. REPRODUCTION BY ANY MEANS, DISCLOSURE, OR USE OF ITS CONTENTS FOR WHICH IT IS LOANED, WITHOUT WRITTEN CONSENT OF SEMCO MACHINE CORPORATION IS STRICTLY PROHIBITED.</small>		<table border="1"> <thead> <tr> <th>TOLERANCE ON DIMENSIONS</th> <th>125 INCH</th> <th>MAXIMUM MACHINE FINISH METRIC</th> <th>LAST SAVED BY</th> </tr> </thead> <tbody> <tr> <td>2 PLACE</td> <td>±.01</td> <td>±.25mm</td> <td>DATE</td> </tr> <tr> <td>3 PLACE</td> <td>±.005</td> <td>±.127mm</td> <td></td> </tr> <tr> <td>4 PLACE</td> <td>±.0005</td> <td>±.0127mm</td> <td>APPROVED BY:</td> </tr> <tr> <td>ANGLES</td> <td>±30'</td> <td>±30'</td> <td>RELEASE DATE:</td> </tr> </tbody> </table>		TOLERANCE ON DIMENSIONS	125 INCH	MAXIMUM MACHINE FINISH METRIC	LAST SAVED BY	2 PLACE	±.01	±.25mm	DATE	3 PLACE	±.005	±.127mm		4 PLACE	±.0005	±.0127mm	APPROVED BY:	ANGLES	±30'	±30'	RELEASE DATE:	<table border="1"> <thead> <tr> <th>SIZE</th> <th>PART/ASSEMBLY NUMBER</th> <th>REV</th> </tr> </thead> <tbody> <tr> <td>D</td> <td>SC400-</td> <td></td> </tr> </tbody> </table>		SIZE	PART/ASSEMBLY NUMBER	REV	D	SC400-	
TOLERANCE ON DIMENSIONS	125 INCH	MAXIMUM MACHINE FINISH METRIC	LAST SAVED BY																												
2 PLACE	±.01	±.25mm	DATE																												
3 PLACE	±.005	±.127mm																													
4 PLACE	±.0005	±.0127mm	APPROVED BY:																												
ANGLES	±30'	±30'	RELEASE DATE:																												
SIZE	PART/ASSEMBLY NUMBER	REV																													
D	SC400-																														
SCALE 1:5		SHEET 1 of 1																													