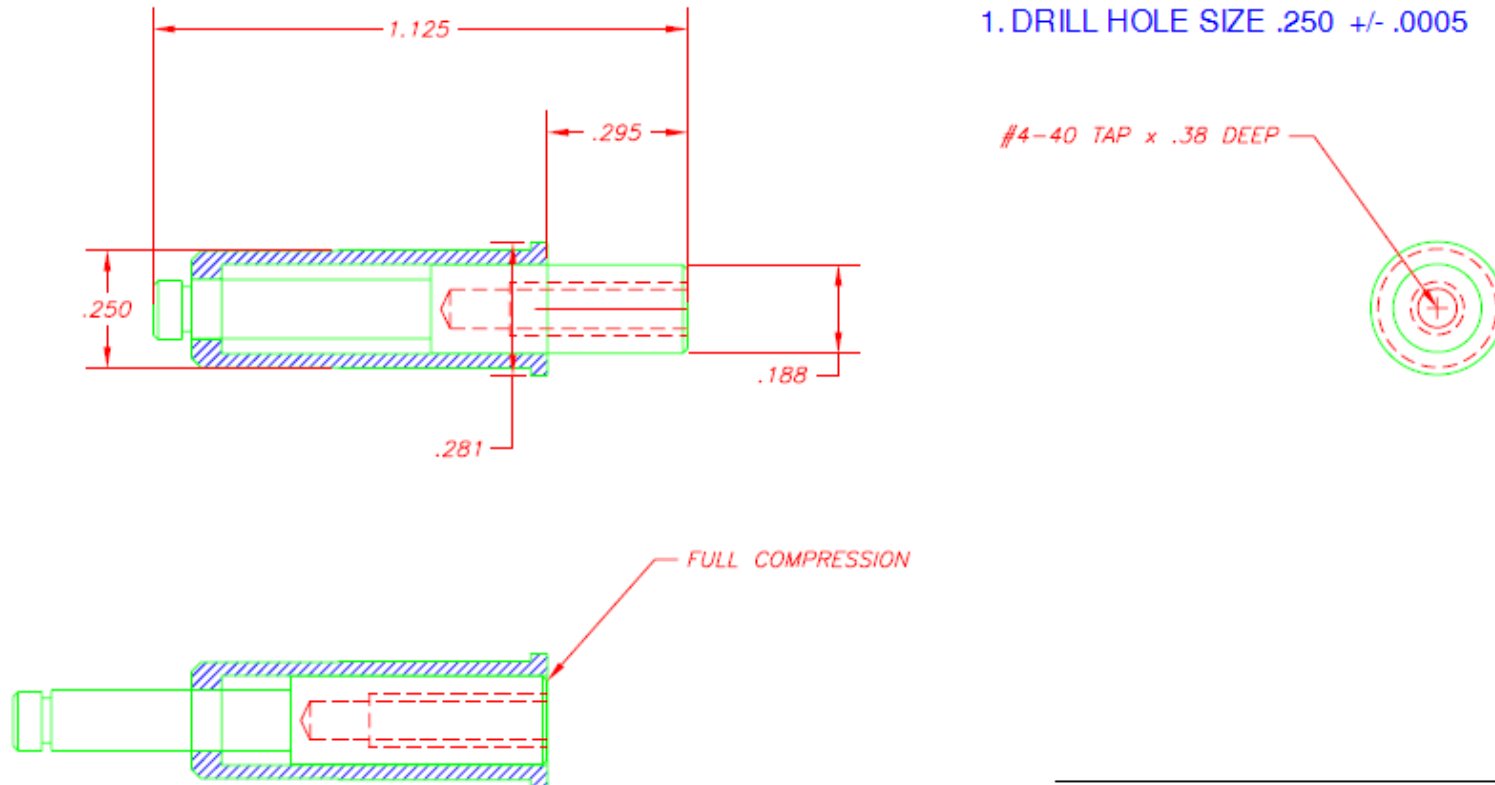


P\N	MATERIAL	MATERIAL DESCRIPTION	FINISH	REMARKS

NOTES:



1. DRILL HOLE SIZE $.250 \pm .0005$

#4-40 TAP x .38 DEEP



FULL COMPRESSION

SEMCO PROPRIETARY

QTY	ASM No.	ECN	REV.	APPROVALS	DATE	REVISION	BY	DATE	APVD
TOLERANCES UNLESS OTHERWISE SPECIFIED:			APPROVALS		DATE	REVISION			
INCHES		ANGULAR		DESIGNED	4/19/91	 SEMCO MACHINE CORPORATION 5 Kenneth Miner Drive Wrentham, MA, 02093 (508) 384-8303			
.X ± .02		± 1°		DRAWN	1/14/02				
.XX ± .01				CHECKED		SPRING LOADED TP 1.1250 L W/ #4-40 TAP			
.XXX ± .005				RELEASED	1/14/02				
FRACTIONAL = STOCK SIZE									
DE-BURR ALL EDGES .020 MAX.									
CAD ADMINISTERED CHANGES ONLY  THIRD ANGLE PROJECTION					SCALE	DWG NO	SHEET	REV.	
This drawing is the property of SEMCO CORPORATION. It is loaned with the understanding that it may not be reproduced nor may the information contained herein be used for the making of drawings or for manufacturing purposes without the written consent of SEMCO.					4:1	ASM-0076-02-44	1 OF 1	A	